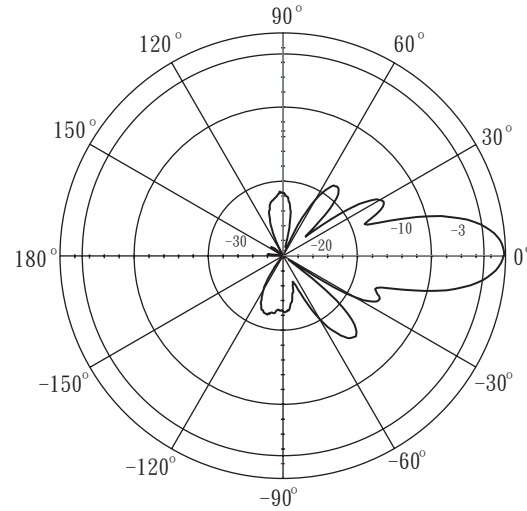


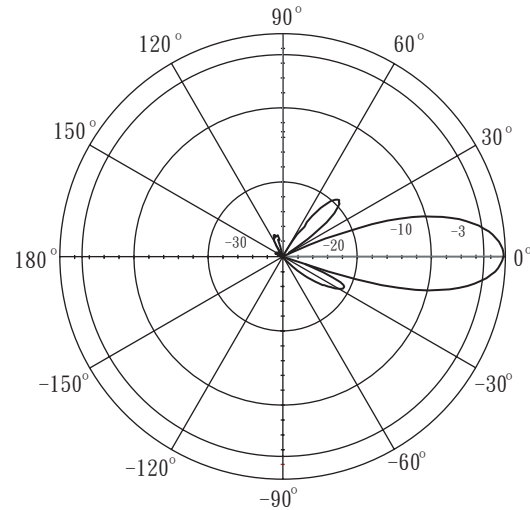
High Gain Panel Directional Antenna for 5.2 / 5.6 / 5.8 GHz



H-plane Co-polarization Pattern



V-plane Co-polarization Pattern



Electrical Specification

Frequency range	5.25 GHz – 5.875 GHz
Gain	18 dBi
VSWR	2.0 : 1 Max.
Polarization	Linear, vertical
HPBW / horizontal	18°
HPBW / vertical	18°
Front to back ratio	25 dB
Power handling	10W (cw)
Impedance	50 ohms
Connector	N jack

Environmental & Mechanical Characteristics

Survival wind speed	216 km/hr
Temperature	- 40 °C to +80 °C
Humidity	95% @ 25 °C
Radome color	Gray-white
Radome material	ABS, UV resistant
Weight	0.825 kg
Dimensions	215 x 200 x 48.5 mm

